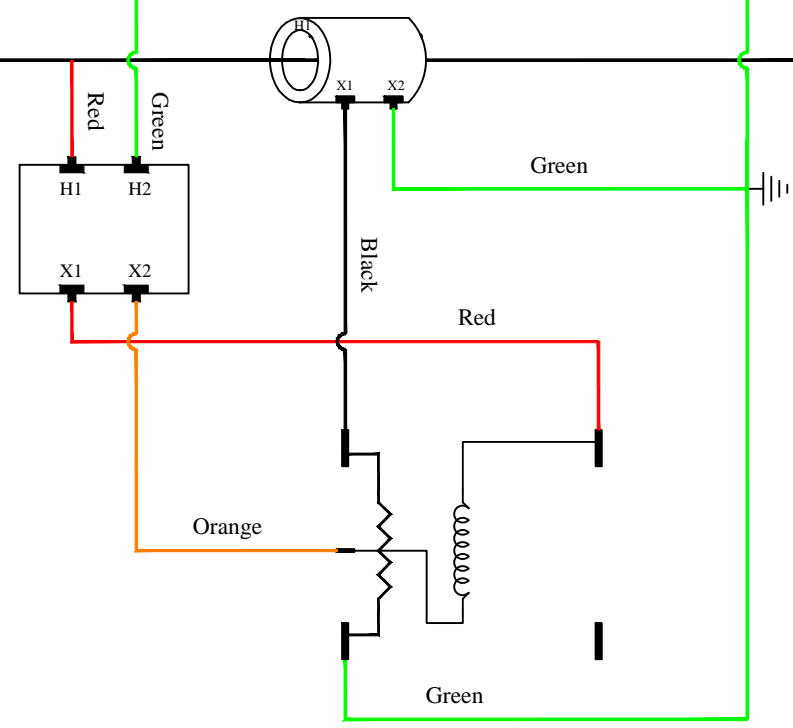


Single Phase
2 Wire
240/480 Transformer

Available Voltage:
480 Line to Neutral

Customer
Load

VT Ratio
480/120V



FM3S
120V

Meter Socket
Must Be Grounded