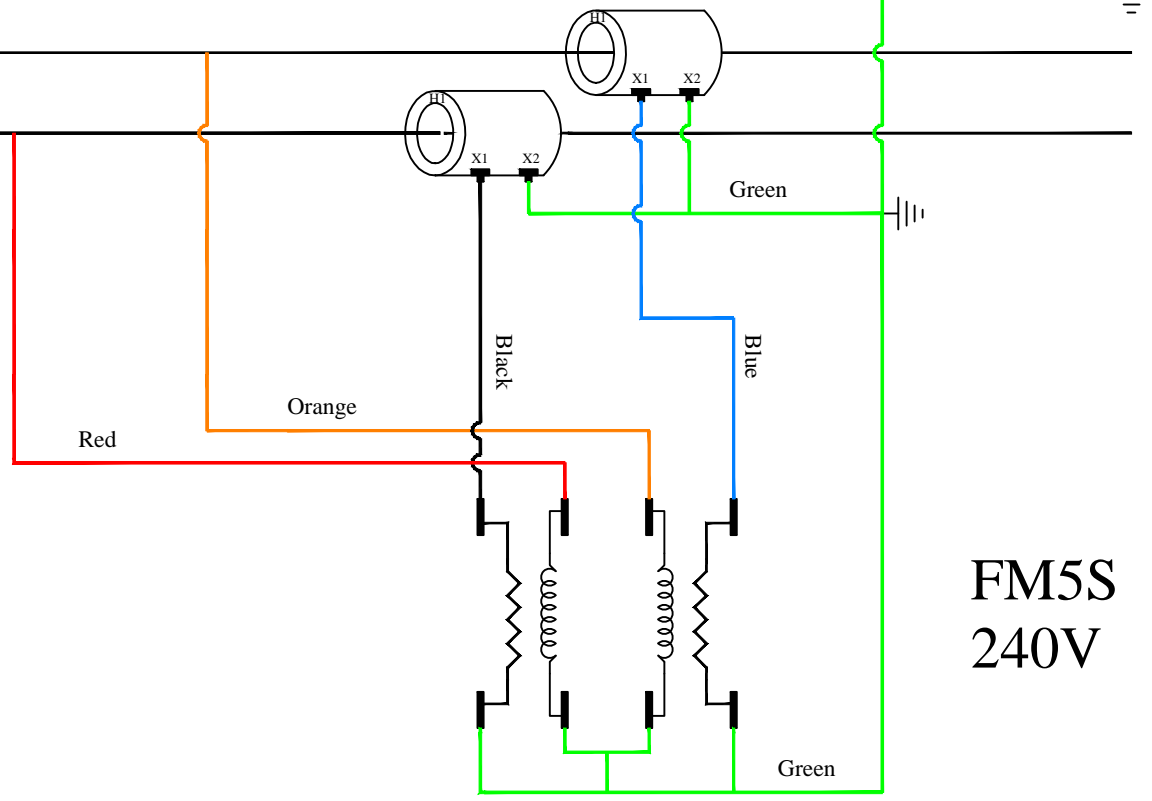


Three Phase
3 Wire Delta
120/240 Transformers

Available Voltage:
240 Line to Neutral
240 Line to Line

Customer
Load



Meter Socket
Must Be Grounded

FM5S
240V