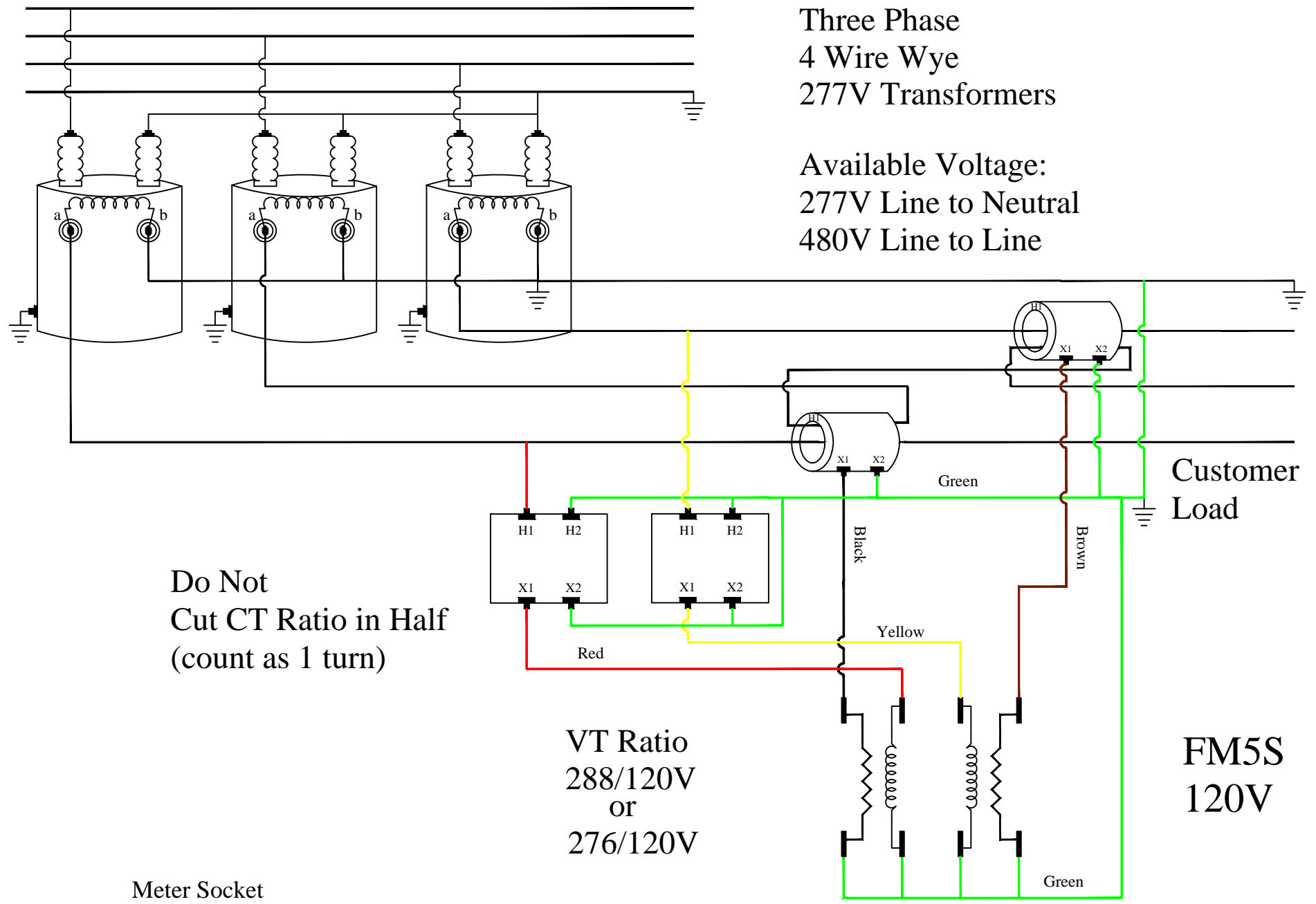


Three Phase
4 Wire Wye
277V Transformers

Available Voltage:
277V Line to Neutral
480V Line to Line



Do Not
Cut CT Ratio in Half
(count as 1 turn)

VT Ratio
288/120V
or
276/120V

Meter Socket
Must Be Grounded

Customer
Load

FM5S
120V