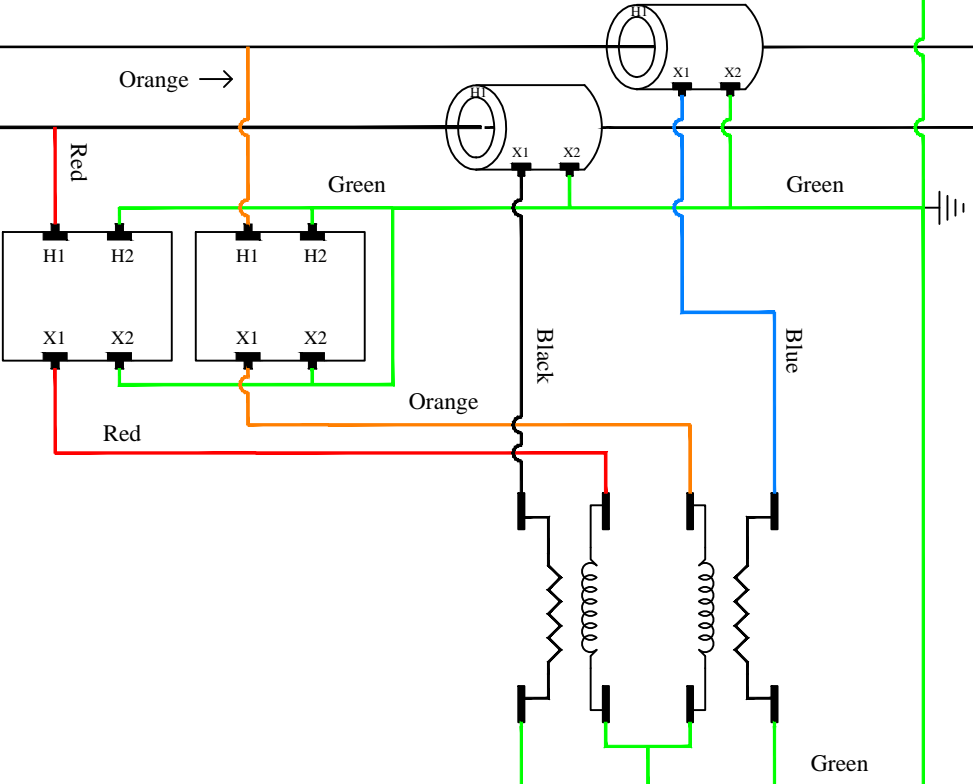


Three Phase
3 Wire Delta
240/480 Transformers

Available Voltage:
480 Line to Neutral
480 Line to Line

Customer
Load

VT Ratio
480/120V



FM5S
120V

Meter Socket
Must Be Grounded