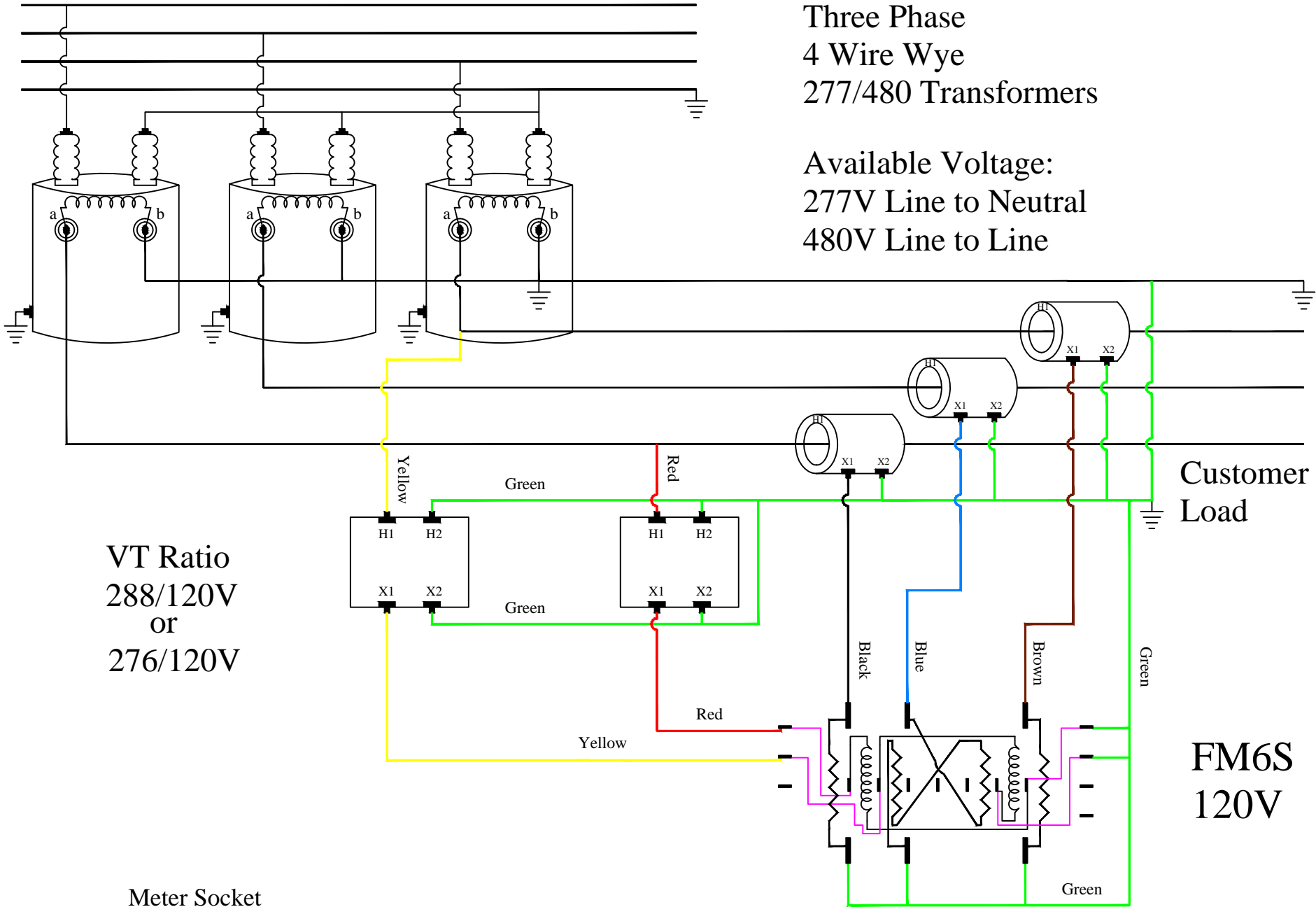


Three Phase
4 Wire Wye
277/480 Transformers

Available Voltage:
277V Line to Neutral
480V Line to Line



VT Ratio
288/120V
or
276/120V

Customer
Load

FM6S
120V

Meter Socket
Must Be Grounded